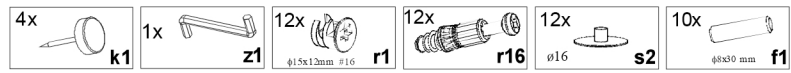
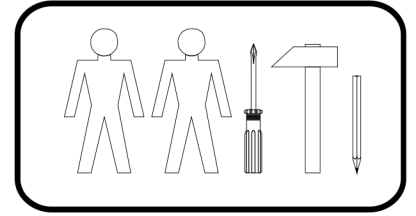
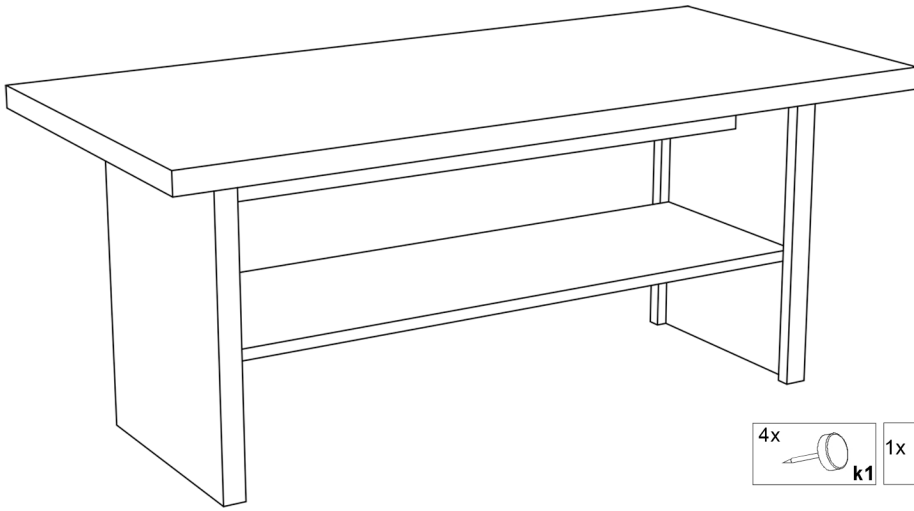


# TOPTY 115



|   |       |      |     |          |   |
|---|-------|------|-----|----------|---|
| 1 | T-203 | 1150 | 550 | 16/32/32 | 1 |
| 2 | T-106 | 464  | 350 | 16/32    | 2 |
| 3 | T-308 | 918  | 310 | 16       | 1 |
| 4 | T-403 | 918  | 100 | 16       | 1 |

